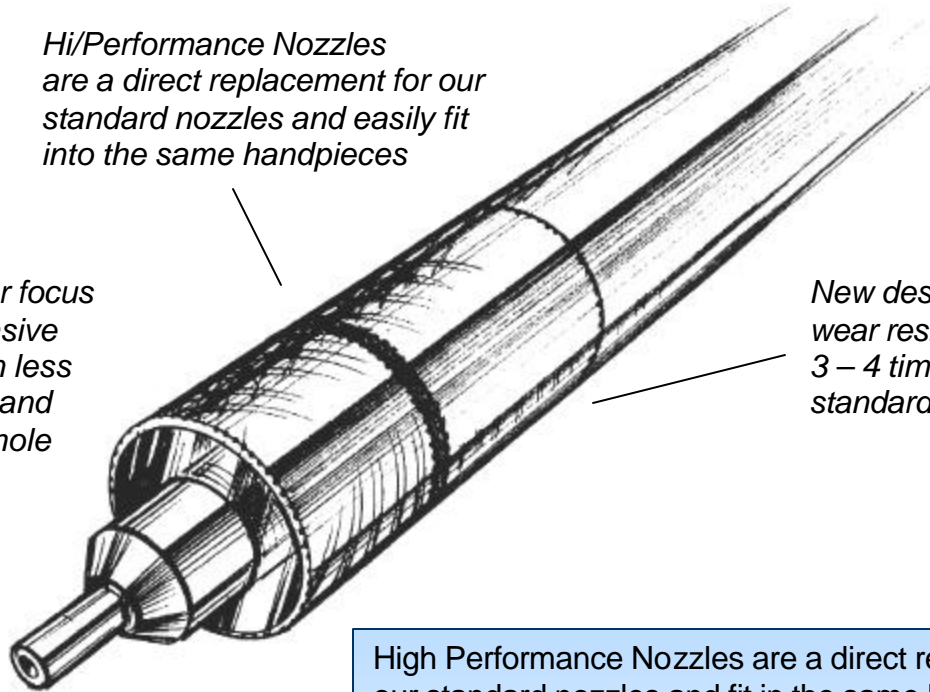


Hi/Performance Nozzles are a direct replacement for our standard nozzles and easily fit into the same handpieces

20% tighter focus of the abrasive resulting in less overspray and a cleaner hole



New design increases wear resistance up to 3 – 4 times over standard nozzles

High Performance Nozzles are a direct replacement for our standard nozzles and fit in the same handpieces. Available in:

MB 1520-24 .018"

MB 1520-29 .046"

MB 1520-11 .030"

MB 1520-35 .060"

SHARPER DEFINITION

INCREASED CUT RATE

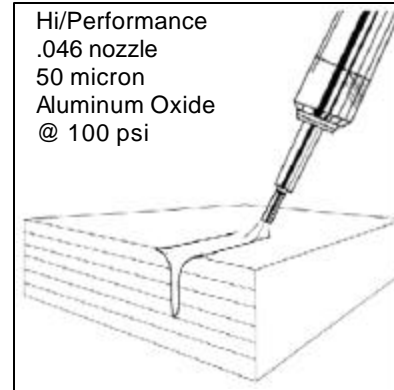
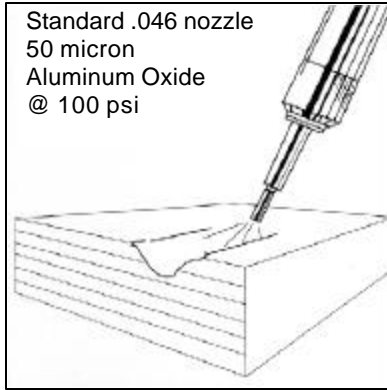
LONGER NOZZLE LIFE

- A tightly focused abrasive blast results in less overspray and a cleaner cut
- New nozzle shape designed to increase efficiency – saving time and money
- Increased productivity gained from not having to stop the process to replace or realign nozzle tips as often
- Improved nozzle design dramatically increases wear resistance compared to any standard nozzle

Standard Nozzle

VS

Hi/Performance Nozzle

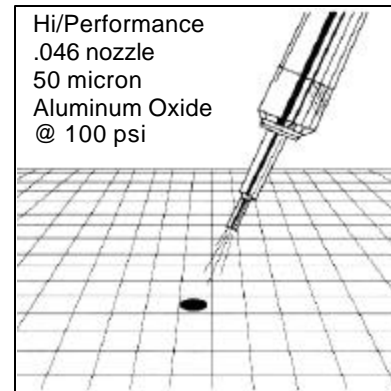
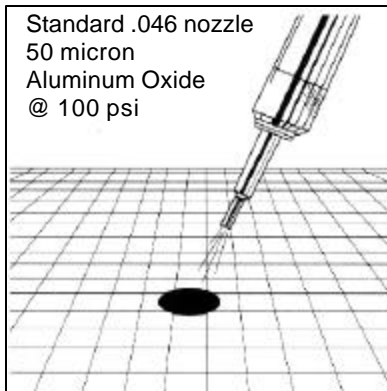


Cut Rate

The rate will depend on the abrasive material and the operating pressure

Cut Rate

New nozzle shape produces 25 – 30 % greater efficiency meaning more work in less time

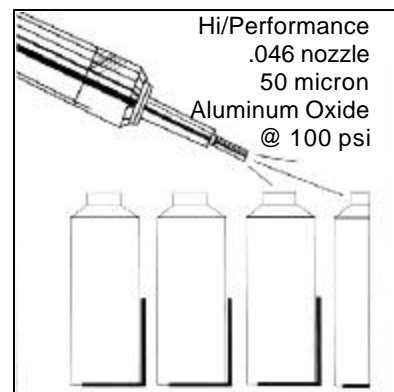
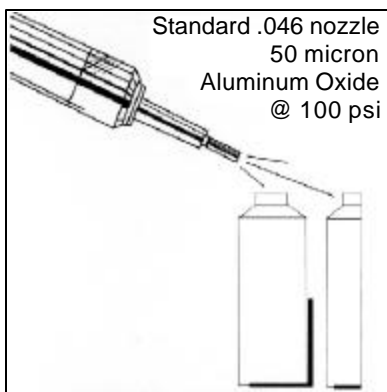


Focus

Although the blast pattern is small, there will be an area of overspray

Focus

A 20% tighter focus of the abrasive means less overspray and a cleaner hole



Nozzle Life

The standard nozzle is a balance between nozzle life and cost for the average application

Nozzle Life

New design increases wear resistance up to 3-4 times over standard nozzles



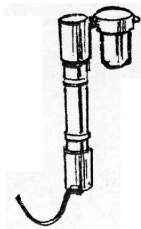
HI / PERFORMANCE

nozzles by Comco

*Providing Superior
Performance
in Micro-Abrasive Blasting*

Comco's Micro-Abrasive Blasting System Components

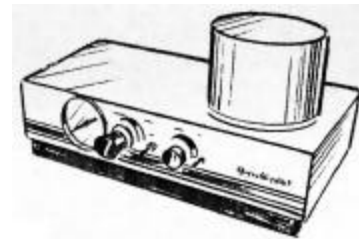
Air Dryers



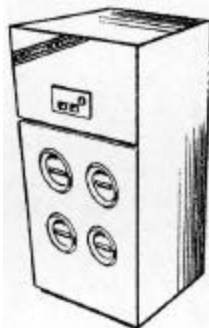
Abrasive Media



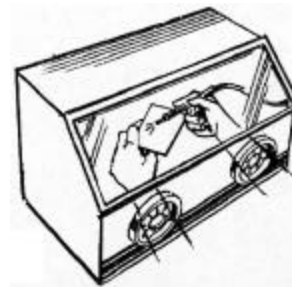
MicroBlaster



Dust Collectors



WorkStations



Comco's *Hi/Performance* nozzles last longer, increase productivity, and provide greater focus for your micro-abrasive blasting applications than conventional nozzles. Contact us today for information on how a complete micro-abrasive blasting system from Comco can help you with applications requiring selective cleaning, focused cutting, precision deburring, material removal or surface preparation.

Comco Inc. 2151 North Lincoln Street / Burbank, California 91504-3344, USA / 818-841-5500
e-mail: sales@comcoinc.com / 800-796-6626 / Fax: 818-955-8365 / www.COMCOinc.com