

AD5100 Series *Desiccant Air Dryer*

Models

The following instructions apply to all AD5100 Series Desiccant Air Dryer models:

AD5100-3 Desiccant Air Dryer, with water pre-filter

AD5100-4 Desiccant Air Dryer, with water and oil pre-filters



Specifications

Maximum Input Pressure	150 PSIG
Maximum Volume	10 SCFM
Maximum Moisture Output	80 PPM
Maximum Air Dried Per Charge	4,000 CF

CAUTION: Air line pressure must not exceed 150 PSIG. Never clean plastic bowl with any solvent. Use soap and water ONLY

Installation

Install the dryer inline with the air source as shown in the accompanying diagram. The user should supply a shut-off valve or quick disconnect before the dryer to facilitate maintenance of the air dryer. The air flow must be as indicated by the arrow on the dryer diagram. The air dryer assembly should be mounted close to the blaster for optimum efficiency.

Maintenance

As the desiccant removes water, it will start to change color. In order to maintain dry air, the desiccant must be replaced when the orange beads begin to change to green.

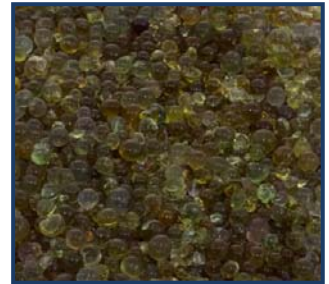
If the air line is extremely wet, a water drop leg with drain valve should be installed to prolong the life of

the desiccant. This will allow condensation to escape from the pipe. If there is oil or compressor lubricant present in the air line, an oil filter will increase the desiccant life. The AD5100-4 Air Dryer Assembly includes this oil filter.

New Desiccant



Moist Desiccant



The life of the desiccant charge depends on the moisture and/or oil in the air, how much air is flowing through it and how often the system is used. In damp environments weekly replacement can be necessary. Silica gel desiccant beads absorb moisture to dewpoints as low as -25°F

Adding or Changing Desiccant

To change or add desiccant, shut off air and bleed system. Press tab on collar allowing the large bowl and guard assembly to be lowered.

After filling with fresh desiccant, reassemble by following the same steps in reverse.



Recharging the Desiccant

Used desiccant may be reactivated if not contaminated with oil. Dry in a shallow pan in 200°F oven until color changes to orange (approximately 2-3 hrs). Reseal in an airtight container to keep desiccant from absorbing moisture. Recycled desiccant will not last as long as a new charge.

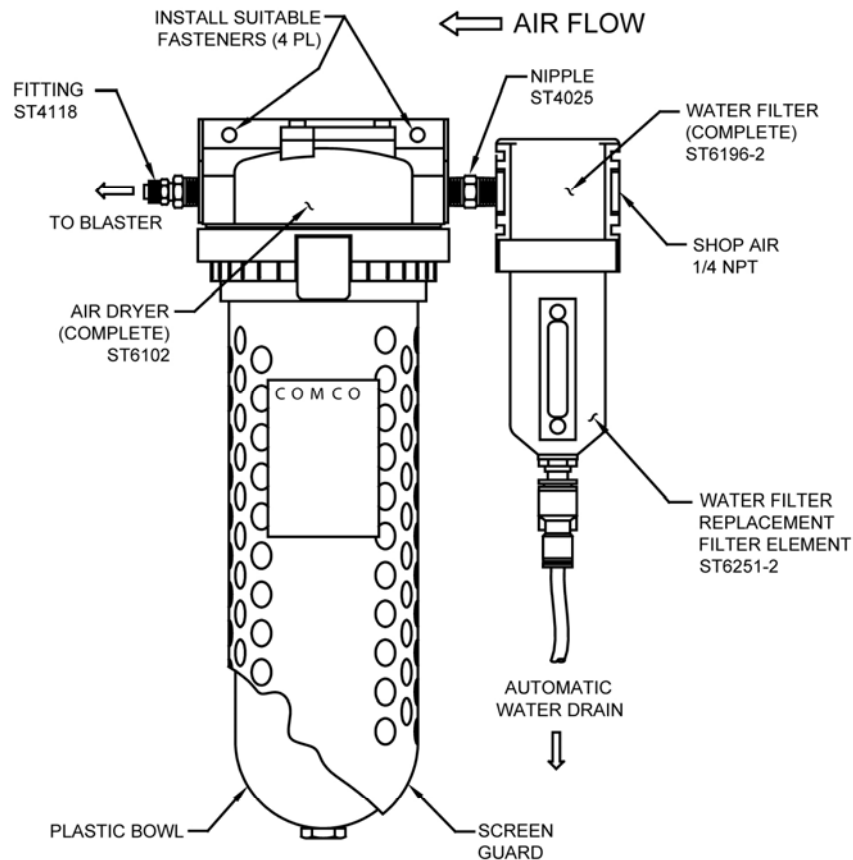
Replacement Charge

A convenient package containing 4 desiccant charges is available for all AD5100 model air dryers. Ask for Comco part number: ST6104-4.



COMCO INC. 2151 N. Lincoln St. / Burbank, CA 91504
818-841-5500 / 800-796-6626 / www.comcoinc.com

AD5100-3



SPACE REQUIREMENTS:
A) AD5100-3: 12"W x 15"H
B) AD5100-4: 16"W x 15"W

WEIGHT:
A) AD5100-3: 7 lbs
B) AD5100-4: 8 lbs

AD5100-4

